

sofamel

Product Technical Specifications



Model AT

Insulated ring terminal

Functionality

The cylinder end or crimp tube is a hollow tube where the multiwire cable is inserted and crimped. The connection or contact end is a flat ring with a central hole that connects to a set screw or bolt.

They are used in:

- Electrical panels
- Terminal blocks
- Wiring harnesses

Product Features

AT insulated ring terminals are manufactured with tin-plated electrolytic copper strip and PVC insulation.

DIN 46237 colour coding is the most popular type of crimp terminal. The colour coding is used to indicate a wire size.

- Red from 1,5 mm² to 2,5 mm²
- Blue from 2,5 mm² to 4 mm²
- Yellow from 4 mm² to 6 mm²

Insulating material with flame retardant additives.

Raw Material Features

Copper sleeve: Copper Tubular T2/C11000

Insulation: PVC

Finish: Tinned

Electrical Characteristics

Max. working voltage: 600 V

Working temperature: -10 to 75°C

Suitable for 1500v DC photovoltaic applications.

Maximum current will depend on the cable section used.



Model AT

Insulated ring terminal

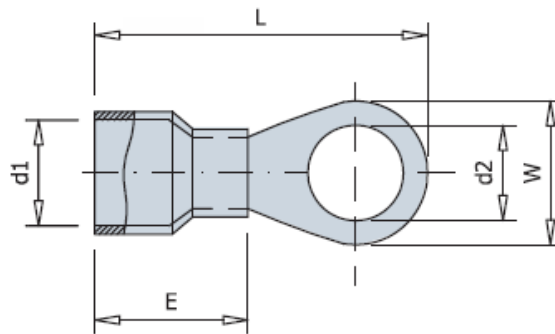
Certificates

They are in accordance with the provisions set forth in the **D.C 2014/35/EU** Directive on electrical equipment intended for use within certain voltage limits of the Council of the European Communities.

According to **UNE 21021**: Connecting parts for power lines up to 72.5 kV.

They comply with the European Union **Directive 2015/863/EU (RoHS 3)**.

Dimensions



Code	Ref,	Cross-section (mm ²)	Metric	d2	W	E	d1	L	Thickness (mm)
270100	AT-1,5/3	1,5	3	3,2	5,5	10,0	1,7	17,5	0,75
270110	AT-1,5/4		4	4,3	6,6			19,4	
270120	AT-1,5/5		5	5,3	8,0			20,8	
270130	AT-1,5/6		6	6,4	10,0			23,0	
270140	AT-1,5/8		8	8,4	11,6			26,8	
270160	AT-2,5/3	2,5	3	3,2	6,6	10,0	2,3	17,8	0,8
270170	AT-2,5/4		4	4,3	6,6			19,4	
270180	AT-2,5/5		5	5,3	8,5			21,8	
270190	AT-2,5/6		6	6,4	11,0			26,8	
270200	AT-2,5/8		8	8,4	11,8			26,8	
270220	AT-6/4	6,0	4	4,3	7,2	13,0	3,4	22,7	1,0
270230	AT-6/5		5	5,3	9,5			26,0	
270240	AT-6/6		6	6,4	12,0			29,5	
270250	AT-6/8		8	8,4	15,0			34,0	
270260	AT-6/10		10	10,5	15,0			34,0	