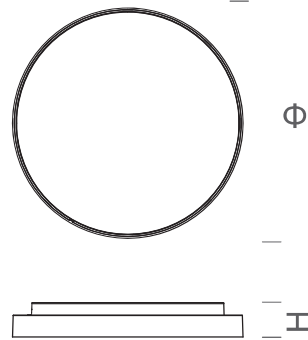
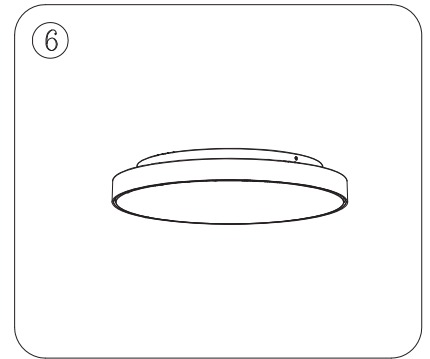
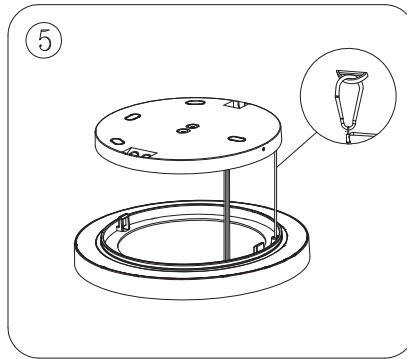
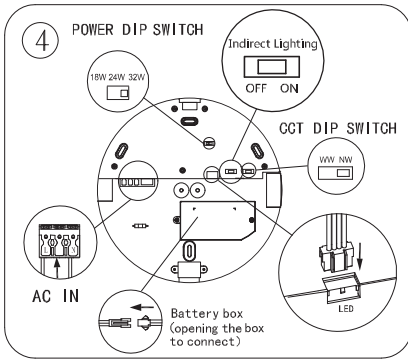
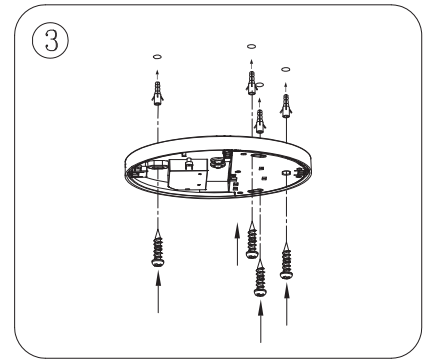
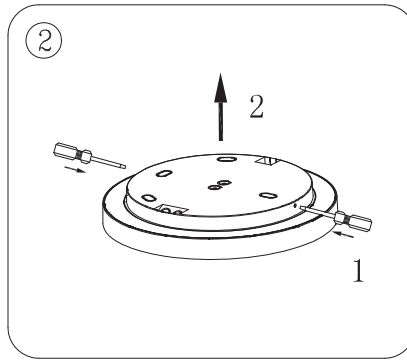
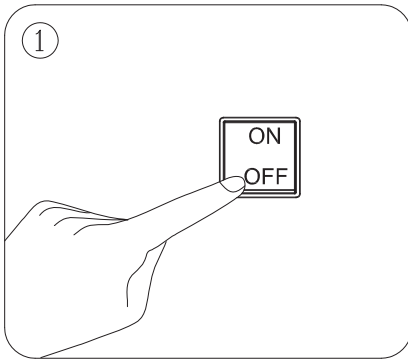


- (FR)** Plafon. LED TECO HILO LINE IP20 18-24-32W 3000-4000K ϕ 350 Blanc/Noir + 1.5H Emergency
- (NL)** LED- Plaf. TECO HILO LINE IP20 18-24-32W 3000-4000K ϕ 350 Wit/Zwart + 1.5H Emergency
- (DE)** LED-Decke. TECO HILO LINE IP20 18-24-32W 3000-4000K ϕ 350 Weiß/Schwarz + 1.5H Emergency
- (EN)** LED Ceiling Light TECO HILO LINE IP20 18-24-32W 3000-4000K ϕ 350 White/Black + 1.5H Emergency



W/Φ (mm)	H (mm)
350	52



- Le produit ne sera ni échangé, ni repris en cas d'erreur de montage.
- TECONEX se réserve le droit de modifier les spécifications sans préavis.
- Le luminaire doit être monté et installé par un professionnel, ce produit sert uniquement à éclairer.

- Het product wordt noch terug genomen, nog vervangen bij foutieve installatie.
- TECONEX behoudt zich het recht om specificaties te wijzigen zonder voorafgaande kennisgeving.
- De armatuur moet worden gemonteerd en geïnstalleerd door vakmensen en dient alleen om te verlichten.

- Das Produkt wird bei unsachgemäßer Installation weder zurückgenommen noch ersetzt.
- TECONEX behält sich das Recht vor, Spezifikationen ohne vorherige Ankündigung zu ändern.
- Die Leuchte muss von Fachleuten montiert und installiert werden und

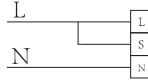
- The product will not be exchanged, or returned in case of installation errors.
- TECONEX reserves the right to change the specifications without notice.
- The luminaire must be mounted and installed by a professional, this product is only used for lighting.

01/2024

- (FR) Plafon. LED TECO HILO LINE IP20 18-24-32W 3000-4000K ϕ 350 Blanc/Noir + 1.5H Emergency
- (NL) LED- Plaf. TECO HILO LINE IP20 18-24-32W 3000-4000K ϕ 350 Wit/Zwart + 1.5H Emergency
- (DE) LED-Decke. TECO HILO LINE IP20 18-24-32W 3000-4000K ϕ 350 Weiß/Schwarz + 1.5H Emergency
- (EN) LED Ceiling Light TECO HILO LINE IP20 18-24-32W 3000-4000K ϕ 350 White/Black + 1.5H Emergency

Emergency Power Supply

1. Connection



2. Auto/Manual emergency power functional inspection

When the luminaire is power connected to the main, it activates the auto inspection function. It starts the first check after 48 hours for power failure simulation. Manual inspection is also available refer to the table as,

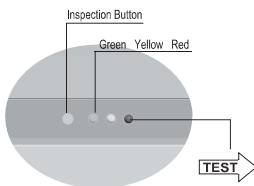
Auto mode	Auto Check	Auto Check	Auto Check	Auto Check
Manual mode	Press<3s	Press3-5s	Press5-7s	Press>7s
Condition	Mains in normal status	Mains in normal status	Mains is in normal status	In emergency status
Function	Simulation of power failure	Month inspection	Year inspection	Switching back to Mains supply
Results	entering emergency status	The GREEN indicator flashing at 1Hz.	The GREEN indicator flashing at 3Hz	Back to Mains supply
After release	Back to normal status	Entering month inspection status: Performing a 120s emergency status and then back to normal status	Entering year inspection status: Performing a full discharging.	Stay in Mains supply

Note:

- If the discharging time is less than 30 minutes, the yellow indicator will be on and the luminaire will be back to Mains automatically.
- Main power off & on can unify the inspection period for the luminaires those connected in the same power loop.

3. Indicators:

Indicator	Function	Light on	Flashing	Light off
RED	Charging indication	charging		Fully charged
GREEN	Status indication of mains and inspection	Mains status OK	1 Hz: month inspection 3 Hz: year inspection	
YELLOW	Failure indication	Discharging time is short	1Hz: Fault in charging circuit	



4. Battery Reactivation:

After the battery has been stored for a period of time, it will enter the "sleep" state and need to be reactivated to restore the nominal battery capacity. It is recommended to activate once a year.

5. Activation Method:

- Charging the battery pack in current 50mA for 16 hours.
- Disconnect the battery pack v.s charging device more than 10minutes.
- Discharging the battery pack in current 100mA till the votage to be 8.0V
- Disconnect the battery v.s discharging device more than 10minutes.
- Charging the battery pack in current 100mA for 150 minutes.

- Le produit ne sera ni échangé, ni repris en cas d'erreur de montage.
- TECONEX se réserve le droit de modifier les spécifications sans préavis.
- Le luminaire doit être monté et installé par un professionnel, ce produit sert uniquement à éclairer.

- Het product wordt noch terug genomen, nog vervangen bij foutieve installatie.
- TECONEX behoudt zich het recht om specificaties te wijzigen zonder voorafgaande kennisgeving.
- De armatuur moet worden gemonteerd en geïnstalleerd door vakmensen en dient alleen om te verlichten.

- Das Produkt wird bei unsachgemäßer Installation weder zurückgenommen noch ersetzt.
- TECONEX behält sich das Recht vor, Spezifikationen ohne vorherige Ankündigung zu ändern.
- Die Leuchte muss von Fachleuten montiert und installiert werden und

- The product will not be exchanged, or returned in case of installation errors.
- TECONEX reserves the right to change the specifications without notice.
- The luminaire must be mounted and installed by a professional, this product is only used for lighting.

01/2024