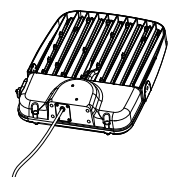
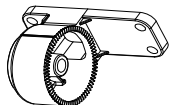
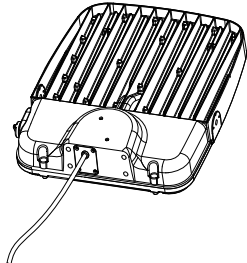
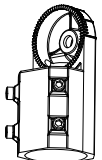
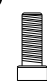
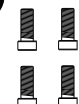


**PACKAGE CONTENTS**

<p><b>A</b></p>  <p>150W-100W-50W</p>	<p><b>B1</b></p> 
<p>240W-200W-150W</p> 	<p><b>B2</b></p> 
<p><b>C</b></p>  <p>M12</p>	<p><b>D</b></p>  <p>4 x M 6</p>

PART	DESCRIPTION	QUANTITY
<b>A</b>	LED Flooding Light	1PC
<b>B1</b>	Slipfitter bracket	1PC
<b>B2</b>	Slipfitter bracket	1PC
<b>C</b>	Screw (M12)	1PC
<b>D</b>	Screw (M6)	4PCS

## SAFETY INFORMATION

### WARNING:

- To reduce risk of fire, electric shock, or injury to persons, this product must be installed in accordance with the applicable installation code by a person familiar with the construction and operation of the product and hazards involved.
- Risk of Fire and Electric Shock- Make certain power is OFF before starting installation or attempting any maintenance. Disconnect power at fuse or circuit breaker.
- Suitable for wet location and operation in temperatures not exceeding 50 °C. For use in 220-240Vac application. Replace the lens if damaged. There are no serviceable parts inside the fixture.
- Risk of Personal Injury- Fixture may become damaged and/or unstable if not installed properly. Failure to comply with these instructions may result in death, serious bodily injury and property damage.

### SAVE THESE INSTRUCTIONS

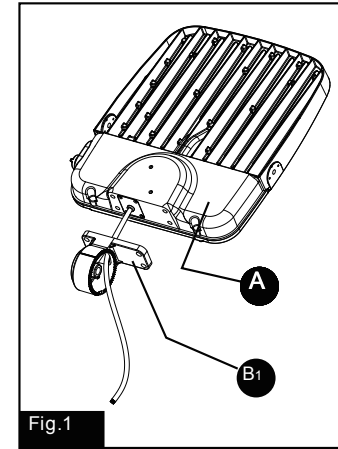
- For safest operation, read and become familiar with complete installation instructions prior to use. Pay close attention to this manual and stay within its guidelines when using

### CAUTION:

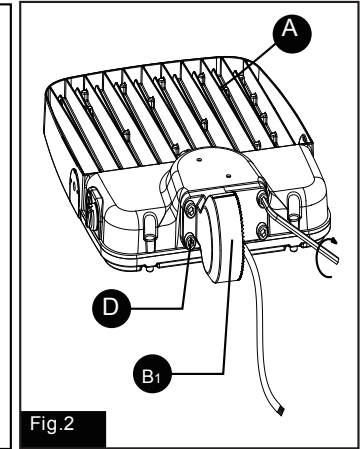
- All parts must be used as indicated in this manual. Do not substitute any parts, leave parts out, or use parts that are worn out or broken.  
LEDs emit bright light. Avoid looking directly at the light source.

## INSTALLATION INSTRUCTIONS

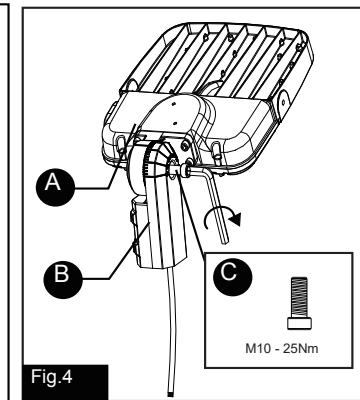
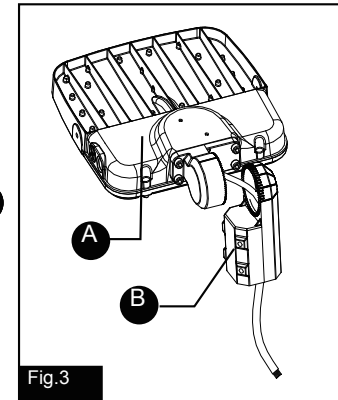
1. Put wire of the fixture **A** through trough bracket **B** (Fig.1).



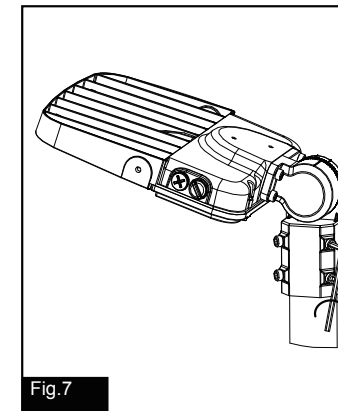
2. Fix the bracket **B** on the fixture **A** with four screws **D** (Fig.2).



3. Put wire of the fixture **A** through bracket **B** (Fig.3).
4. Assemble the bracket **B** to the fixture **A** with screw **C** (Fig.4).



5. Mount the fixture on the pole. Tighten the four fixing screws (Fig.7). The maximum pole diameter should be 65mm.



6. Loosen screw **C** and adjust the fixture to a desired illumination angle, then tighten screw **C** (Fig.8).

