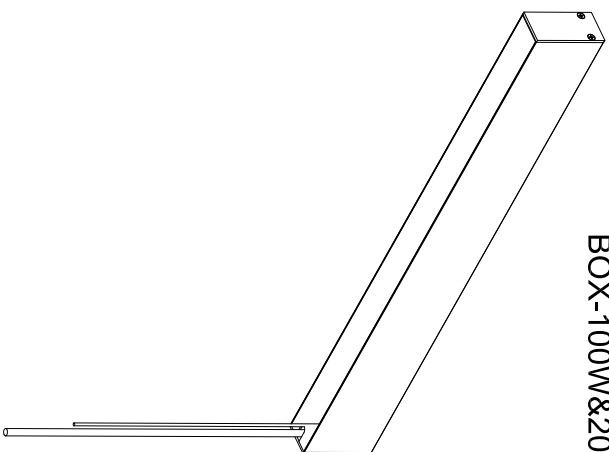
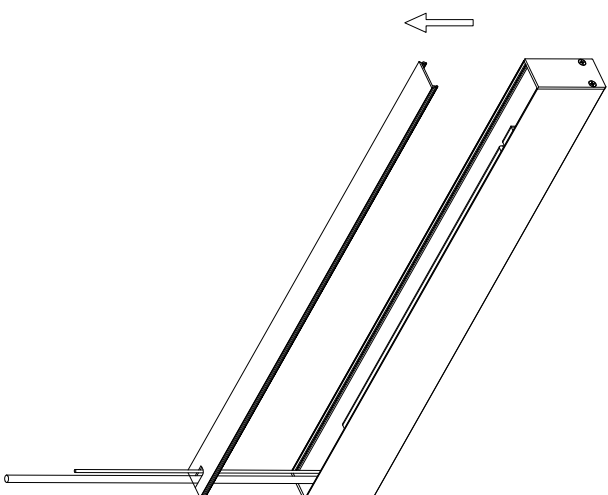


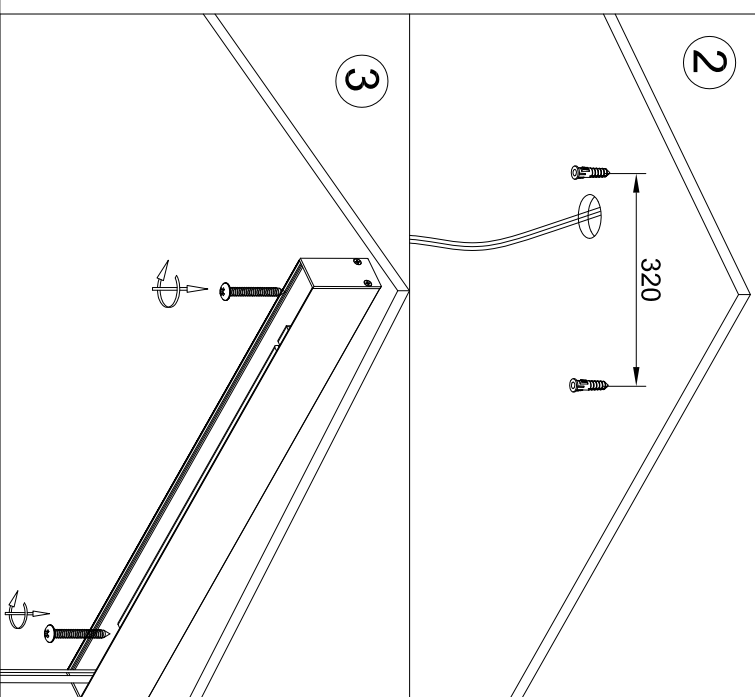
GALAXY SP  
BOX-100W&200W



1



2

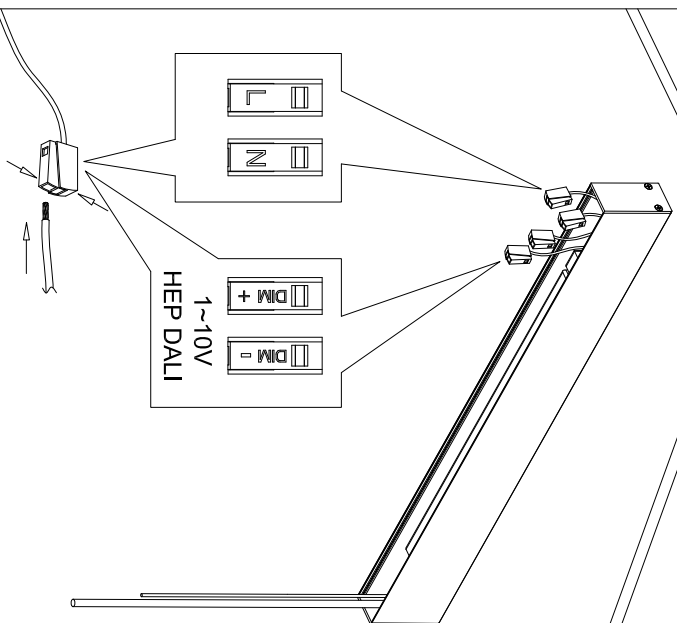


3

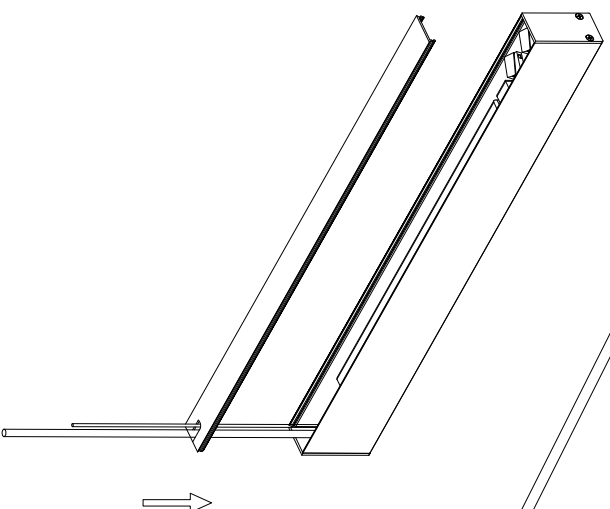
The driver box is not suitable for Tridonic DALI driver



4



5



6

